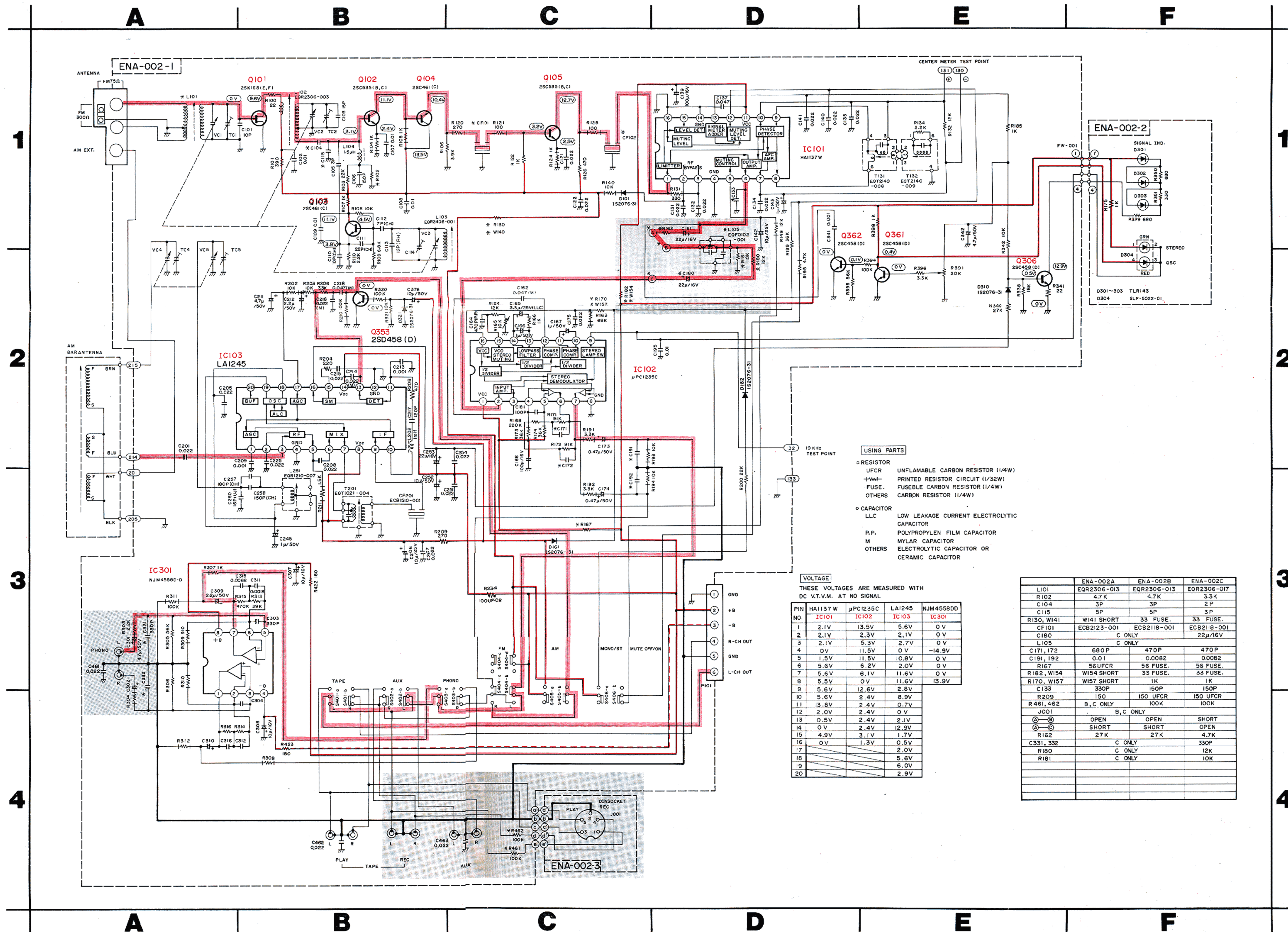


11. R-K11/R-K11L Schematic Diagrams

11-(1) R-K11 Schematic Diagram



- USING PARTS**
- RESISTOR
 - UFCR UNFLAMMABLE CARBON RESISTOR (1/4W)
 - FWCR PRINTED RESISTOR CIRCUIT (1/32W)
 - FUSE FUSELE CARBON RESISTOR (1/4W)
 - OTHERS CARBON RESISTOR (1/4W)
 - CAPACITOR
 - LLC LOW LEAKAGE CURRENT ELECTROLYTIC CAPACITOR
 - P.P. POLYPROPYLEN FILM CAPACITOR
 - M MYLAR CAPACITOR
 - OTHERS ELECTROLYTIC CAPACITOR OR CERAMIC CAPACITOR

VOLTAGE
THESE VOLTAGES ARE MEASURED WITH DC V.T.V.M. AT NO SIGNAL

PIN NO.	IC101	IC102	IC103	IC301
1	2.1V	13.5V	5.6V	0V
2	2.1V	2.3V	2.1V	0V
3	2.1V	5.3V	2.7V	0V
4	0V	11.5V	0V	-14.9V
5	1.5V	11.5V	10.8V	0V
6	5.6V	6.2V	2.0V	0V
7	5.6V	6.1V	11.6V	0V
8	5.5V	0V	11.6V	13.9V
9	5.6V	12.6V	2.8V	
10	5.6V	2.4V	8.9V	
11	13.8V	2.4V	0.7V	
12	2.0V	2.4V	0V	
13	0.5V	2.4V	2.1V	
14	0V	2.4V	12.9V	
15	4.9V	3.1V	1.7V	
16	0V	1.3V	0.5V	
17			2.0V	
18			5.6V	
19			6.0V	
20			2.9V	

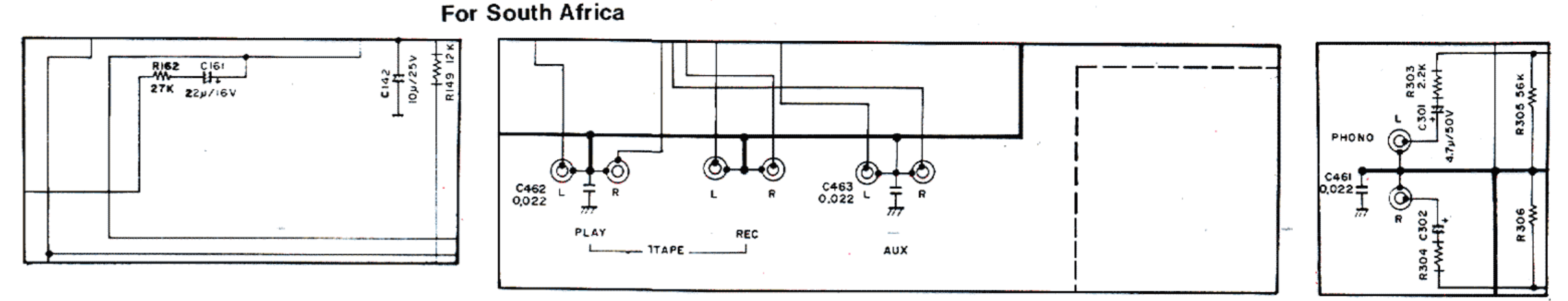
	ENA-002A	ENA-002B	ENA-002C
L101	EQR2306-013	EQR2306-013	EQR2306-017
R102	4.7K	4.7K	3.3K
C104	3P	3P	3P
C115	5P	5P	3P
R150, W141	W141 SHORT	33 FUSE.	33 FUSE.
CF101	ECB2123-001	ECB2118-001	ECB2118-001
C160	C ONLY	C ONLY	22μ/16V
L105	C ONLY		
C171, 172	680P	470P	470P
C191, 192	0.01	0.0082	0.0082
R167	56UFGR	56 FUSE.	56 FUSE.
R182, W154	W154 SHORT	33 FUSE.	33 FUSE.
R170, W157	W157 SHORT	1K	1K
C133	330P	150P	150P
R209	150	150 UFGR	150 UFGR
R461, 462	B, C ONLY	100K	100K
J001	OPEN	B, C ONLY	SHORT
○	OPEN	OPEN	SHORT
⊖	SHORT	SHORT	OPEN
R162	27K	27K	4.7K
C331, 332	C ONLY	330P	
R180	C ONLY	12K	
R181	C ONLY	10K	

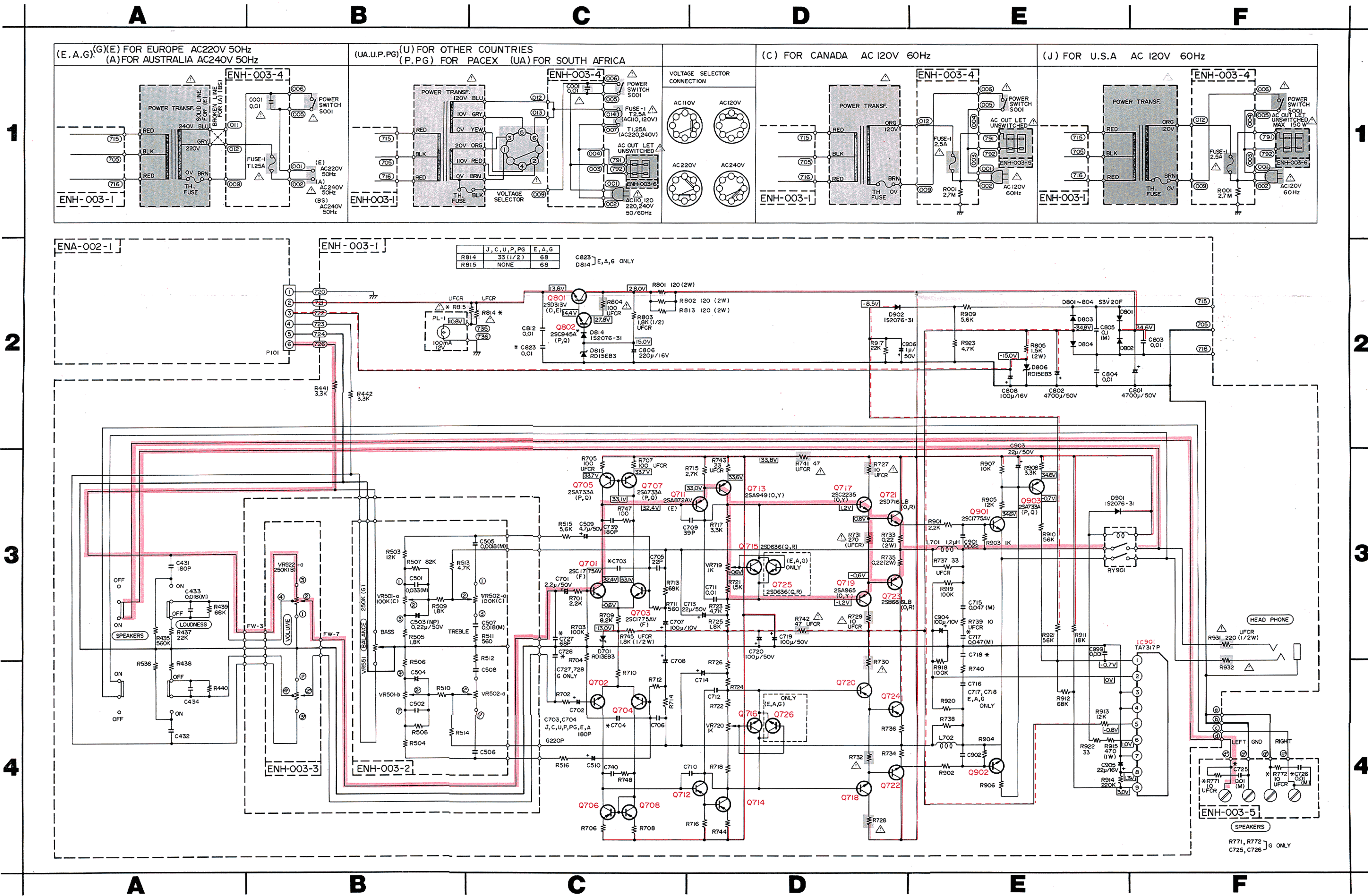
- Notes:**
- Shows DC voltage to the chassis with no signal input.
 - Indicates positive B power supply.
 - Indicates negative B power supply.
 - Indicates signal path.
 - When replacing the parts in the darkened area () and those marked with Δ, be sure to use the designated parts to ensure safety.
 - Parts in red indicate transistors or ICs.

7. This is the standard circuit diagram. The design and contents are subject to change without notice.

Printed Circuit Board Ass'y Locations

P.C. Board Ass'y	Description	Page
ENA-002	Tuner, LED and DIN Socket Sections	7
ENH-003	Main Amp., Fuse, Tone, Speaker and AC Outlet Sections	10





Notes:

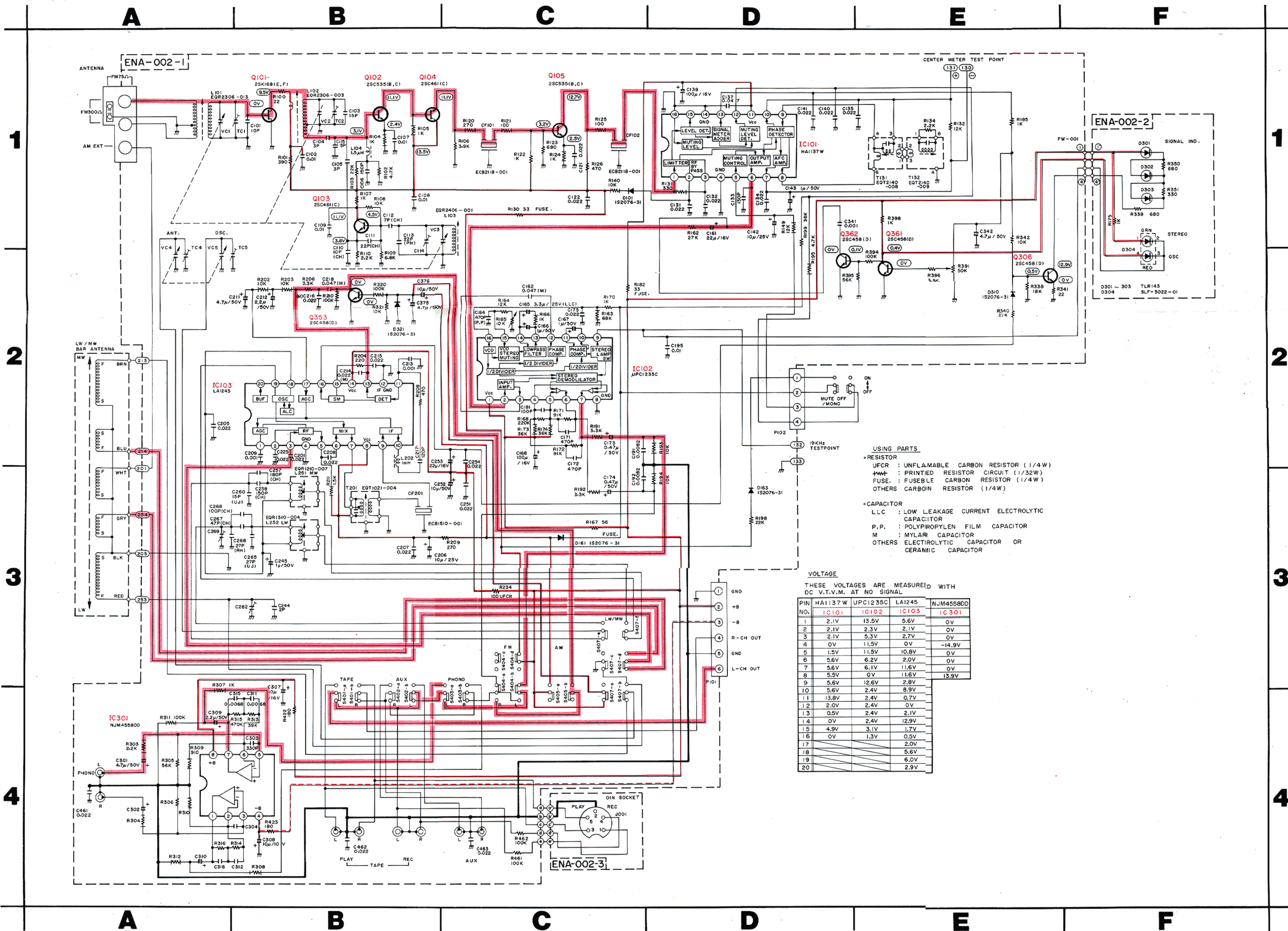
1. shows DC voltage to the chassis with no signal input.
2. indicates positive B power supply.
3. indicates negative B power supply.
4. indicates signal path.
5. When replacing the parts in the darkened area () and those marked with △, be sure to use the designated parts to ensure safety.
6. Parts in red indicate transistors or ICs.

7. This is the standard circuit diagram. The design and contents are subject to change without notice.

Printed Circuit Board Ass'y Locations

P.C. Board Ass'y	Description	Page
ENA-002	Tuner, LED and DIN Socket Sections	7
ENH-003	Main Amp., Fuse, Tone, Speaker and AC Outlet Sections	10

11-(2) R-K11L Schematic Diagram

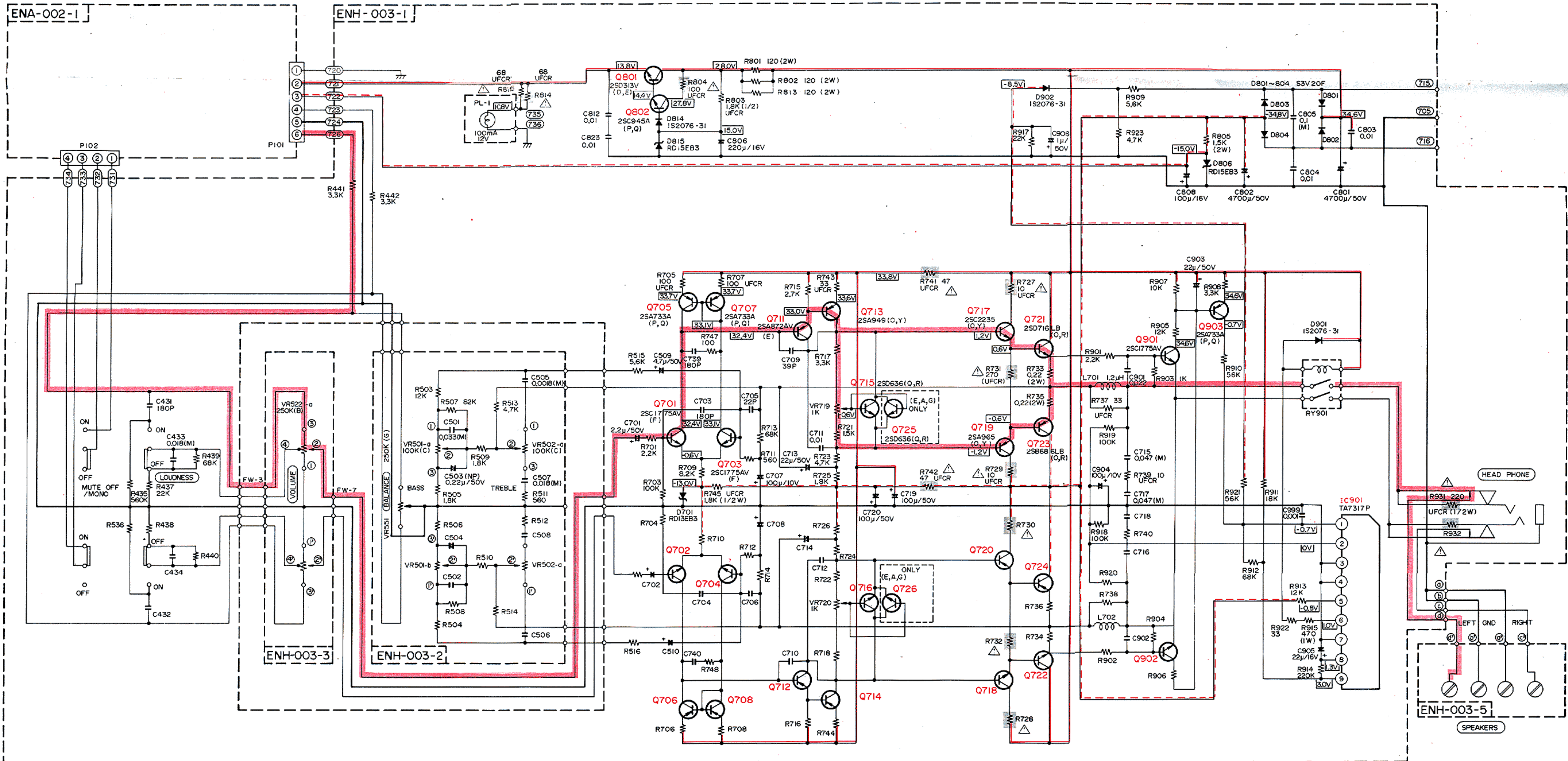
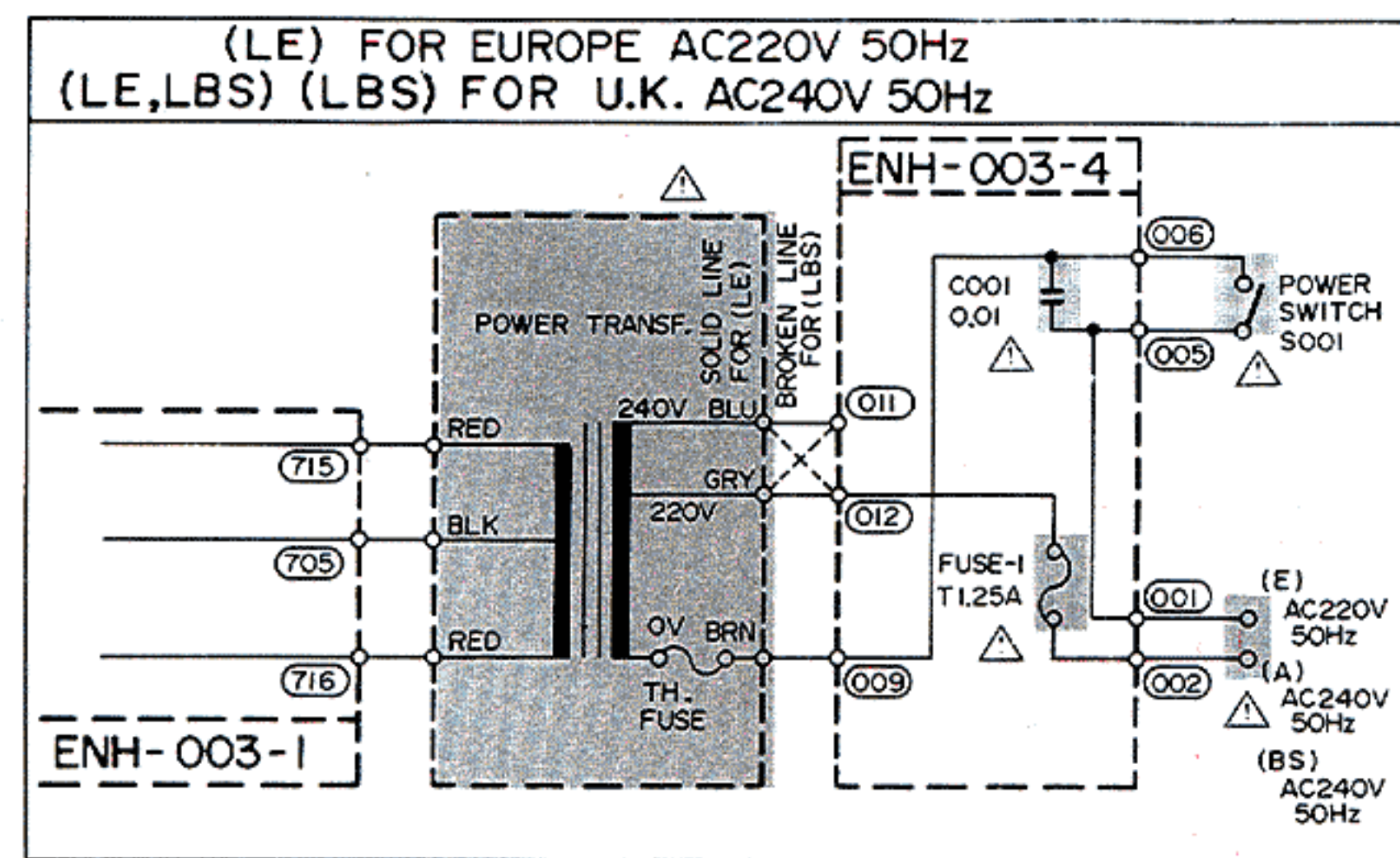


- Notes:**
1. shows DC voltage to the chassis with no signal input.
 2. indicates positive B power supply.
 3. indicates negative B power supply.
 4. indicates signal path.
 5. When replacing the parts in the darkened area () and those marked with Δ , be sure to use the designated parts to ensure safety.
 6. Parts in red indicate transistors or ICs.

7. This is the standard circuit diagram. The design and contents are subject to change without notice.

Printed Circuit Board Ass'y Locations

P.C. Board Ass'y	Description	Page
ENA-002	Tuner, LED and DIN Socket Sections	7
ENH-003	Main Amp., Fuse, Tone, Speaker and AC Outlet Sections	10



- Notes:
1. shows DC voltage to the chassis with no signal input.
 2. indicates positive B power supply.
 3. indicates negative B power supply.
 4. indicates signal path.
 5. When replacing the parts in the darkened area () and those marked with , be sure to use the designated parts to ensure safety.
 6. Parts in red indicate transistors or ICs.

7. This is the standard circuit diagram. The design and contents are subject to change without notice.

Printed Circuit Board Ass'y Locations

P.C. Board Ass'y	Description	Page
ENA-002	Tuner, LED and DIN Socket Sections	7
ENH-003	Main Amp., Fuse, Tone, Speaker and AC Outlet Sections	10